

OT Lesson, Week 4/27-5/1 - Weather

Handwriting - What is the weather outside?

Write a sentence describing the weather using as many details and descriptive words as you can.

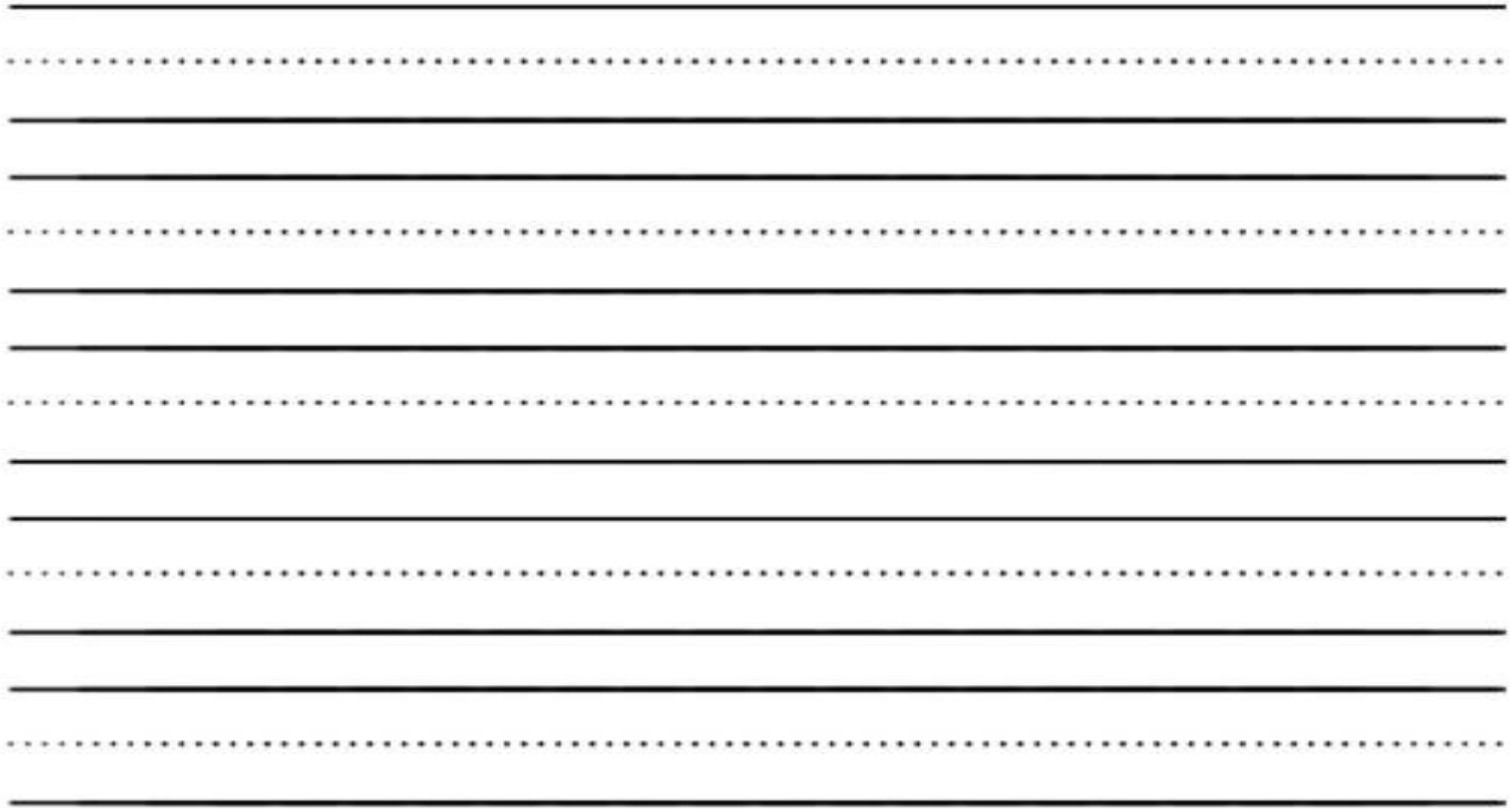
For example: The weather outside is gloomy and sad because it is raining again.

The weather outside is bright and shiny because the sun is out.

The weather outside is gray and dark because the clouds are covering the sky.































Challenge: can you add 2-3 more sentences.

(You can use the paper below or use your own paper)



Alphabet Drops

Fill in the missing letters for these alphabet lines.
Start a new section of the alphabet on each line.
Don't go back to "A." Instead try to start each line with the new letters.

									
g	h					j	l	i	k
									
m	n					q	o	r	p
									
a	b					d	e	f	c
									
j		l				k	o	m	n
									
s	t					v	u	x	w

Weather Fine Motor Crafts: Have fun with paint

Click on the link for 3 weather art project using paint in a variety of ways!

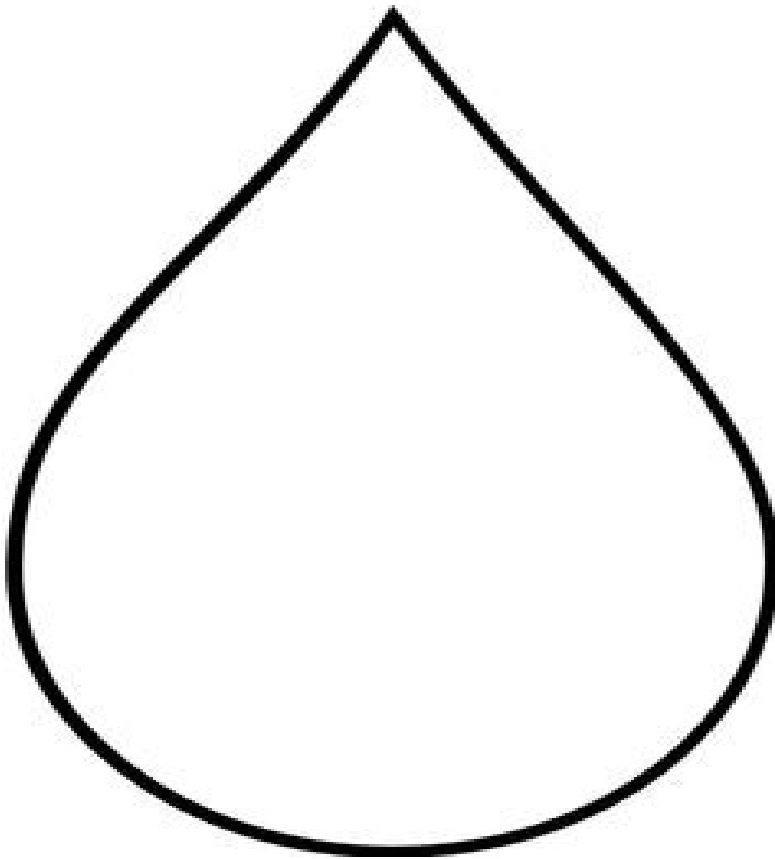
<https://www.pre-kpages.com/three-weather-art-activities/>



My Mundane &
Miraculous Life
for Pre-K Pages



Gross Motor – Draw your own raindrops like this one, Cut them out, Spread them out around the room, Jump or Hop from one raindrop to another OR Write your vocabulary words on the raindrops. Have an adult or sibling say a vocabulary word outloud, jump to that word.



Visual Perception – Weather I Spy

Use the weather I spy worksheet to locate as many weather related objects as you can!